

Model HFC-1000

Certified 500 Gallons • High Flow (1.5 gpm)

Drinking Water System for your home and family

5 Stage Exclusive Design

Stage 1: Built-in Pre-Filter
Filters 5 micron for dirt / sediment/filterable iron etc.

Stage 2: Fine Filtration
.5 Micron (1/50,000 of an inch) for reduction of color, turbidity, lead, protozoan cysts and other particulates including filterable iron.

Stage 3: Adsorption
High Capacity for superior chemical reduction and off taste, odor and color control

Stage 4: Filter Protection
Silver Zeolite technology blended throughout the filter using ion exchange to manage the silver release giving optimum efficacy and longevity!
EPA Registered, FDA listed and NSF-certified for food and water uses.

Stage 5: Scale Control
Polyphosphate spheres slow release provides protection against hard water scale for water using appliances.

Replacement cartridge PN#RC-HFC-1000
For conditions of use, health claims certified by California Department of Public Health, and replacement parts, see the performance data sheet.

California Department of Public Health
Certification Number XX-XXX



Certified Performance

The system conforms to NSF/ANSI 42 and 53 for specific performance claims as verified and substantiated by test data :

Standard 42: Aesthetic Effects
Chemical Unit
Taste and Odor Reduction and
Aesthetic Chlorine & Chloramine Reduction
Mechanical Filtration Unit
Particulate Reduction Class 1
99.7% reduction of particles .5 micron and larger in size

Standard 53: Health Effects
Chemical Reduction Unit
MTBE Reduction
VOC Reduction
TTHM Reduction
Lead Reduction

Mechanical Filtration Unit
Turbidity Reduction
Cyst Reduction



Operating Specifications

Min/Max working pressure: 10 psi (0.7 bar)/125 psi (8.6 bar), nonshock
Temperature: 35-100° F (2-38° C)
Service flow rate 1.5 gpm (5.7 Lpm)
Rated Service Capacity: 500 gallons (1890 L)

Product performance is dependent upon incoming water conditions. Do not use with water that is microbiologically unsafe or of unknown quality without adequate disinfection before or after the system. Systems certified for cyst reduction may be used on disinfected waters that may contain filterable cysts.

Conforms to NSF/ANSI 53 for VOC reductions. See performance data sheet for individual contaminants and reduction performance.

The contaminants or other substances removed or reduced by this water filter device are not necessarily in your water.

The HFC-1000 High Flow system will provide delicious tasting, healthful, crystal clear water directly from your existing cold sink faucet. Great installation for the kitchen/bath/bar/prep sink cold side of faucet. Your family will now enjoy the benefits of **AlwaysFresh H2O** Water the way you want it for drinking, cooking, hot or cold beverages, rinsing fruits and vegetables, as well as, producing filtered Ice.

The High flow rate coupled with the high gallonage capacity allows you to use one system for Filtering your refrigerator's ice/water dispenser, instant hot tap, under-sink chiller, built-in coffee maker and/or another sink location... All with one system.

Connecting to the existing cold sink faucet eliminates the need for a separate dispensing tap most of the time. Now you can enjoy

filtered water and keep the design you want for your sink area and not worry about matching a separate tap to your sink faucet(s).

You will find that the amount of filtered water used for other purposes in the kitchen is minimal. For example, hand washing, and cleaning large cookware is normally the only water that would not benefit from filtration. Now you do not need to train your family on the choice of water to use.



Model HFC-1000

Certified 500 Gallons • High Flow (1.5 gpm)

Drinking Water System for your home and family

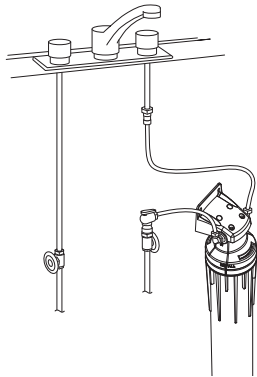
Important Product Features:

- Exclusive & Quick Change Cartridge
- Certified under NSF/ANSI 42/53 Industry Standards
- Limescale control*
- Filter Protection - Silver Zeolite technology
- Built-in Pre filter
- .5 Micron fine filtration 99.7% efficient
- Superior chemical reduction
- Water supply shut-off valve included
- Low Cost and easy to maintain:
Normal cartridge change once per year for most families

*claim not certified

Typical Installation Options:

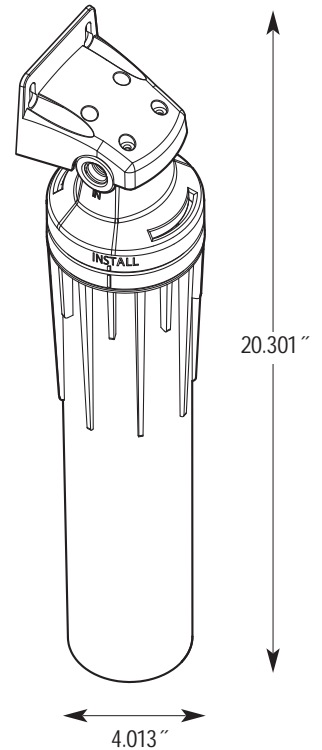
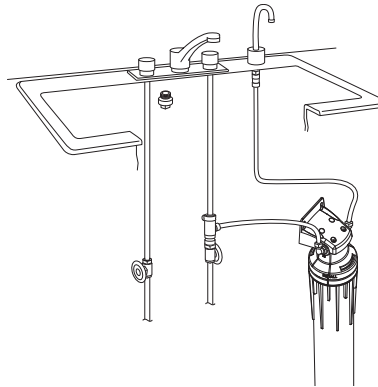
Existing Cold Faucet Installation with Existing Cold Sink Faucet Filtered



HFC-1000 System Includes:

- High flow head assembly and mounting bracket
- HFC-1000 High flow replacement cartridge
- Installation Materials:
 - 5' Tubing (3/8")
 - Inlet/Outlet fittings for Head Assembly
 - Water Supply valve with shut-off
 - Miscellaneous fittings for normal under sink installation to existing cold sink faucet.
 - All fittings NSF certified and with quick connection o-ring sealing system.

Undersink Separate Faucet Installation; Existing Cold Sink Faucet Non-Filtered



Warranty:

12 months from date of purchase or 24 months from date of manufacture. See warranty sheet for details

Companion Products:



Alwaysfreshh2o Brewer coffee or tea



Alwaysfreshh2o Instant Hot



AlwaysFresh H2O Filtered hot and cold water



Alwaysfreshh2o Chiller



Alwaysfreshh2o Dispensing Faucets

AlwaysFresh[™]
Water the way you want it™ **H2O**



Waterline Technology®
961 N. Main St., Ste 102 • P.O. Box 396
Mansfield, OH 44903

Phone: 419-529-3949 • Technical Service: 1-800-522-3949
Fax: 419-529-8484 • www.alwaysfreshh2o.com