

Model SF-1000

Standard Flow (0.75gpm)

"This system was evaluated to a test capacity of 2000 gallons, 200% of the rated capacity of 1000 gallons, to allow for a considerable safety margin"

Chemical Reduction System for your home, office and business

5 Stage Exclusive High Flow Design

Stage 1: Built-in 5.0 Micron Pre-Filter - Wrapped completely around the carbon block to filter dirt, sediment, filterable iron etc for increased cartridge life

Stage 2: Fine Filtration - Thick Compression molded powdered activated carbon block filters Class i reduction of particles >0.5 Micron

Stage 3: Adsorption - Specially formulated High Capacity carbon with over 650,000 square meters of adsorption surface area

Stage 4: Filter Protection - Silver Zeolite technology blended throughout the filter



Stage 5: Scale Control* - Polyphosphate spheres are slowly released to provide protection against hard water scale build up in water using appliances.

Replacement cartridge PN#RC-SF-1000

For conditions of use, health claims certified by California Department of Public Health, and replacement parts, see the performance data sheet.* claim not certified by WQA

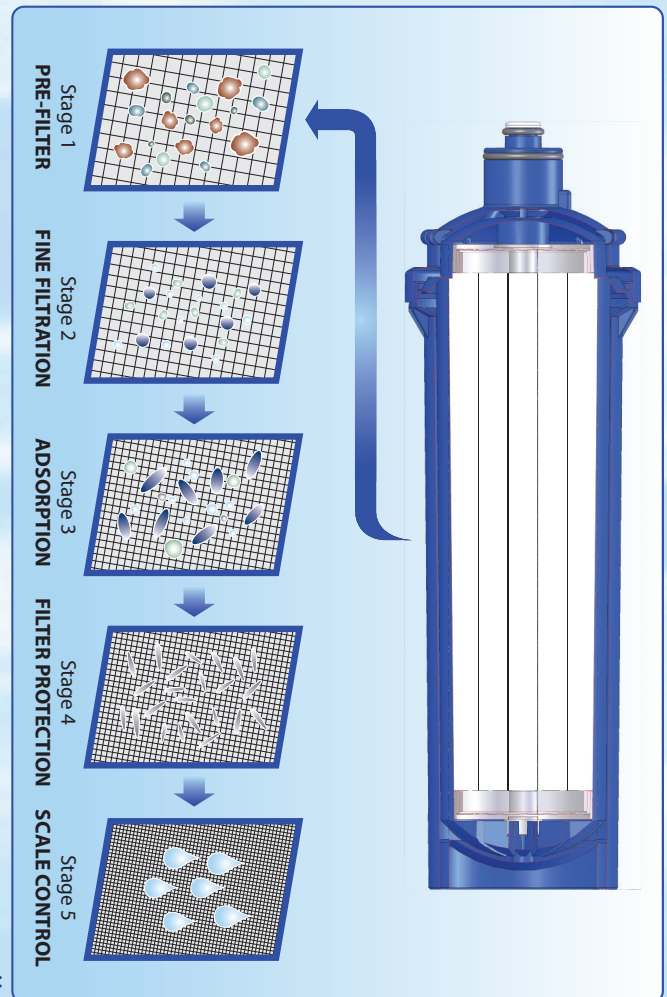
California Department of Public Health
Certification Number 08-1927

*Claim not certified



Certified Performance

This system certified to CSA B483.1 and NSF/ANSI 42 and 53 for specific performance claims as verified and substantiated by test data :



Exclusive Patented Quick Change Cartridge



- Inlet & outlet ports sealed w/O-ring technology
- Sanitary Sealed quick change cartridge 1/4 turn, no tools required



Made in the USA

Complete Installation Kit

- Undersink to existing cold sink faucet (all quick connections)

Lead Free Design

- Virgin polypropylene materials and tubing - no lead



©2013 Waterline Technology®
Protected under patents 6,695,891, 6,926,826,
6,977,006, 7,172,693, 7,476,314
and other Patents Pending

Model SF-1000

High Flow (0.75 gpm)

Chemical Reduction System for your home, office and business



Certified Performance

This system certified to CSA B483.1 and NSF/ANSI 42 and 53 for specific performance claims as verified and substantiated by test data :

Standard 42: Aesthetic Effects
Chemical Unit
Taste and Odor Reduction and
Aesthetic Chlorine Reduction
Mechanical Filtration Unit
Particulate Reduction Class 1
reduction of particles >0.5 micron

Standard 53: Health Effects
Chemical Reduction Unit
Lead Reduction

Mechanical Filtration Unit
Turbidity Reduction
Cyst Reduction



Operating Specifications

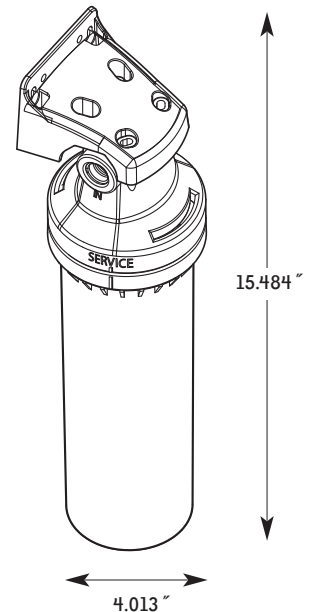
Min/Max working pressure:
30 psi (2.1 bar)/125 psi (8.6 bar), nonshock
Temperature: 35-100° F (2-38° C)
Service flow rate .75 gpm (2.85 Lpm)
Rated Service Capacity: 1000 gallons (3800 L)

Product performance is dependent upon incoming water conditions. Do not use with water that is microbiologically unsafe or of unknown quality without adequate disinfection before or after the system. Systems certified for cyst reduction may be used on disinfected waters that may contain filterable cysts.

The contaminants or other substances removed or reduced by this water filter device are not necessarily in your water.

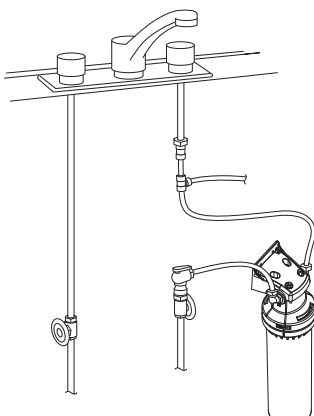
Warranty:

12 months from date of purchase or
24 months from date of manufacture.
See warranty sheet for details

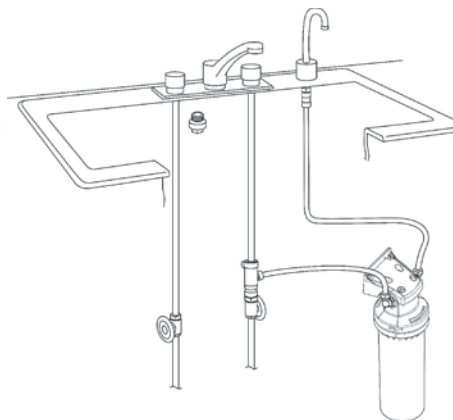


Typical Installation Options:

Existing Cold Faucet Installation with
Existing Cold Sink Faucet Filtered



Undersink Separate Faucet Installation,
Existing Cold Sink Faucet Non-Filtered



Note: Separate faucet recommended for installation at kitchen sink for single filter head.

This system is a great addition to any home, office or business. Its flow rate is 1.5 x the competition without sacrificing performance. The capacity for the average family of 4-6 is a 1 Year Supply of drinking water.

Ideal system for homes that do not want to add a separate dispensing for the bath or bar area.

Connecting to the existing cold sink faucet saves cost of purchasing a separate dispensing tap, installation time & design issues without the need to drill holes in your countertop.

Great for bath or bar areas and for point of use water cooler filtration



Waterline Technology®
961 N. Main St., Ste 102 • P.O. Box 396
Mansfield, OH 44903

Phone: 419-529-3949 • Technical Service: 1-800-522-3949
Fax: 419-529-8484 • www.waterlinetechnology.com

form SF1000-2013